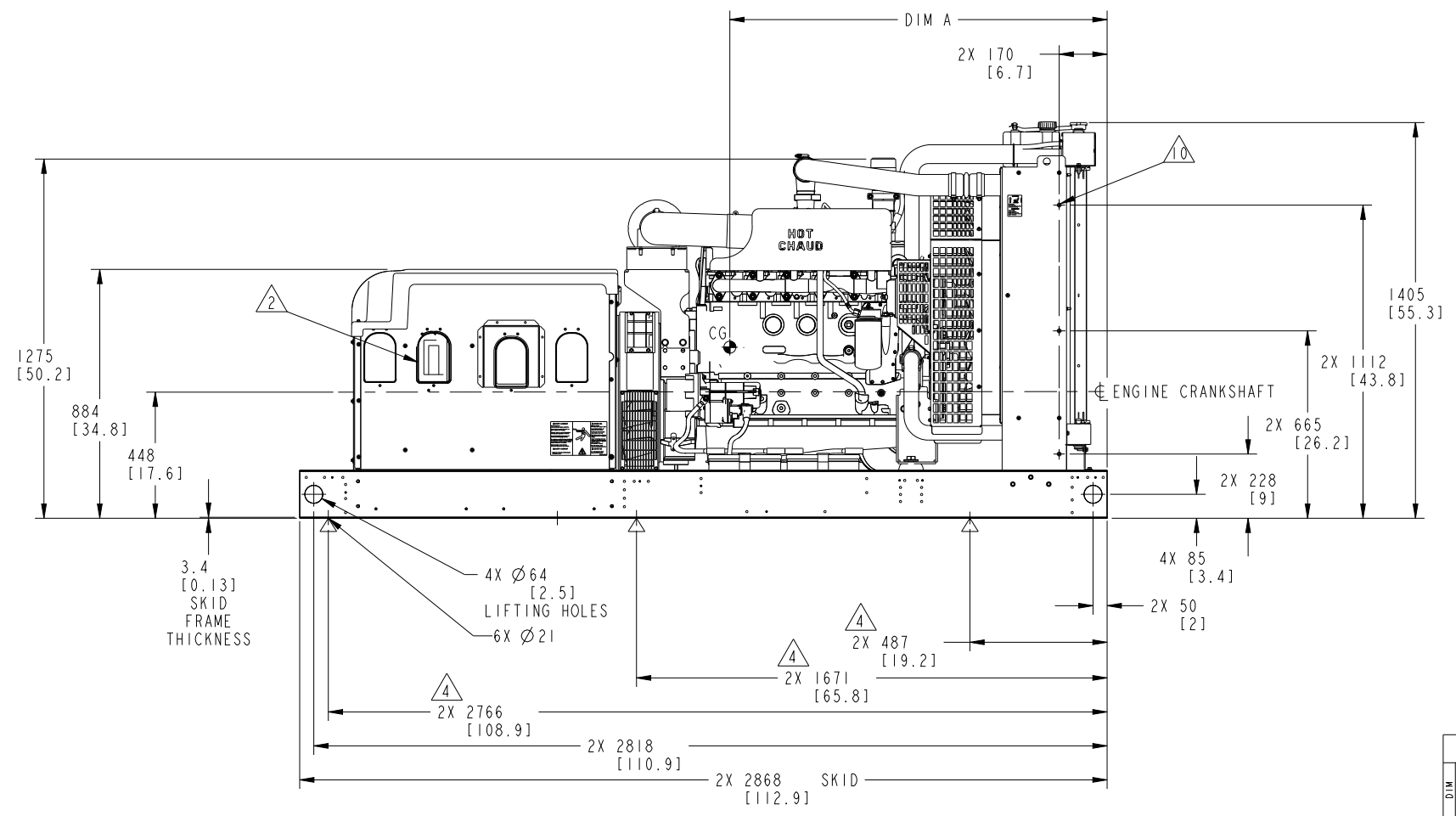
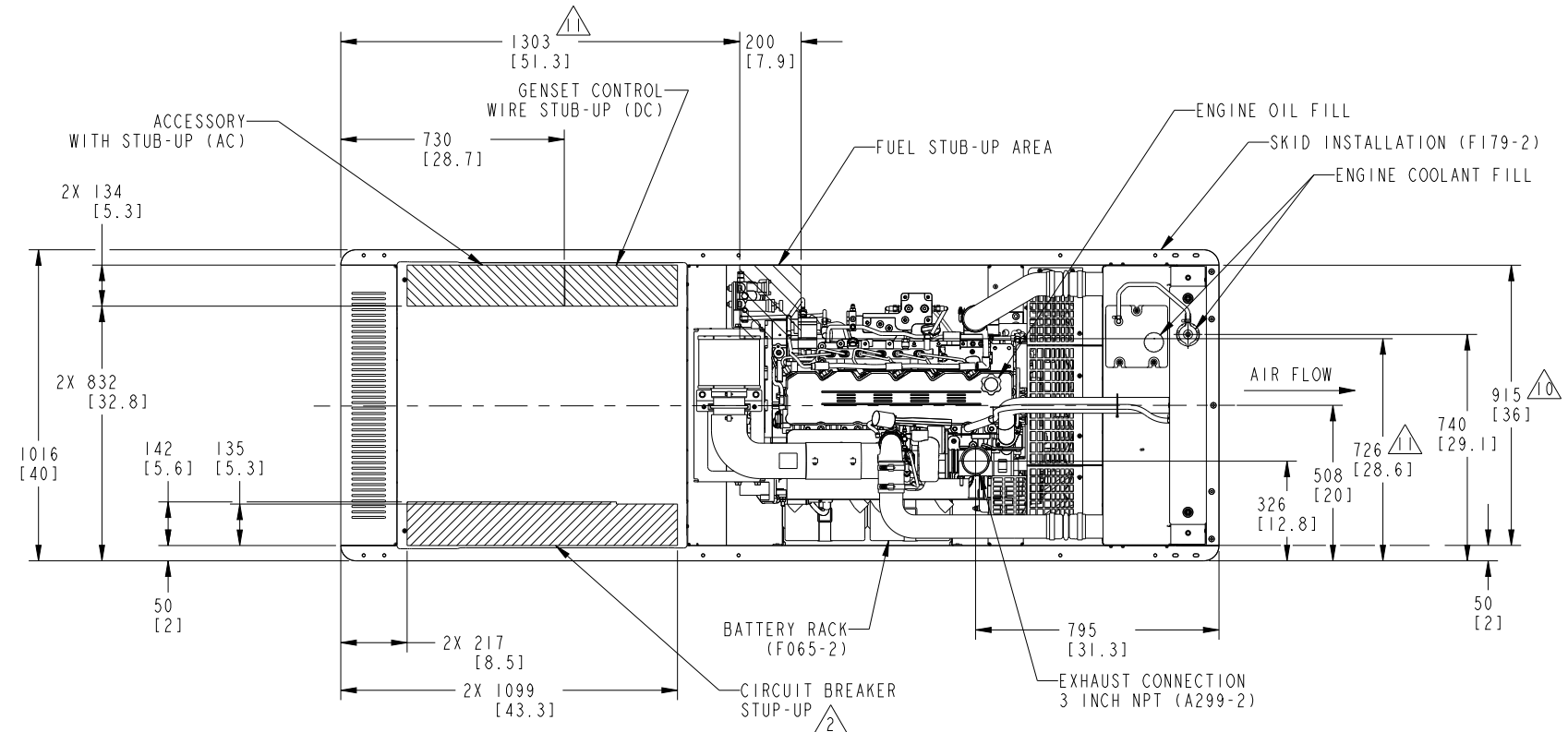


REL NO	REV	NO	REVISION	DWN	CKD	APVD	DATE
ECO-176532	A	1	PRODUCTION RELEASE	DAH	DAH	GILLETT	04APR18

NOTES:

- ALL DIMENSIONS ARE REFERENCE, UNLESS SPECIFICALLY TOLERANCED.
- REFER TO CIRCUIT BREAKER OUTLINE DRAWING FOR ELECTRICAL STUB-UP AREA FOR SPECIFIC BREAKERS.
- CONTROL INTERFACE CONNECTIONS SHOULD BE MADE WITH FLEXIBLE CONNECTIONS.
- Ø21 [0.8] HOLES MARKED BY FOR SECURING TO MOUNTING SURFACE. HOLES IN GENERATOR SET BASE AT THESE LOCATIONS ARE INTENDED FOR ATTACHMENT TO THE MOUNTING SURFACE. IF GENERATOR SET IS MOUNTED ON A FUEL TANK, REFER TO FUEL TANK OUTLINE DRAWING FOR LOCATION OF TANK ATTACHMENT POINTS.
- REFER TO GENSET OR FUEL TANK FOUNDATION OUTLINES FOR ELECTRICAL, FUEL AND OTHER FOUNDATION SPECIFICS.
- GENSET SUPPLIED WITH FLEXIBLE FUEL LINES THAT CAN BE CONNECTED TO ENGINE INTERFACE POINTS.
  - FUEL SUPPLY LINE: 670 [26] LONG WITH 1/4 INCH NPT MALE TERMINATION.
  - FUEL RETURN LINE: 930 [37] LONG WITH 1/4 INCH NPT MALE TERMINATION.
- OIL DRAIN EXTENSION: 5/8 INCH HOSE I.D.
- FOR IBC SEISMIC CERTIFIED INSTALLATIONS, SEE GENSET IBC SEISMIC INSTALLATION REQUIREMENTS DRAWING.
- DRY WEIGHT = WET WEIGHT - 38.5 KG (85 LB).
- 6X Ø7.3 HOLES FOR CUSTOMER-SUPPLIED COOLING EXHAUST AIR DUCT ADAPTER.
- FUEL SUPPLY AND RETURN STUB-UP AREA.

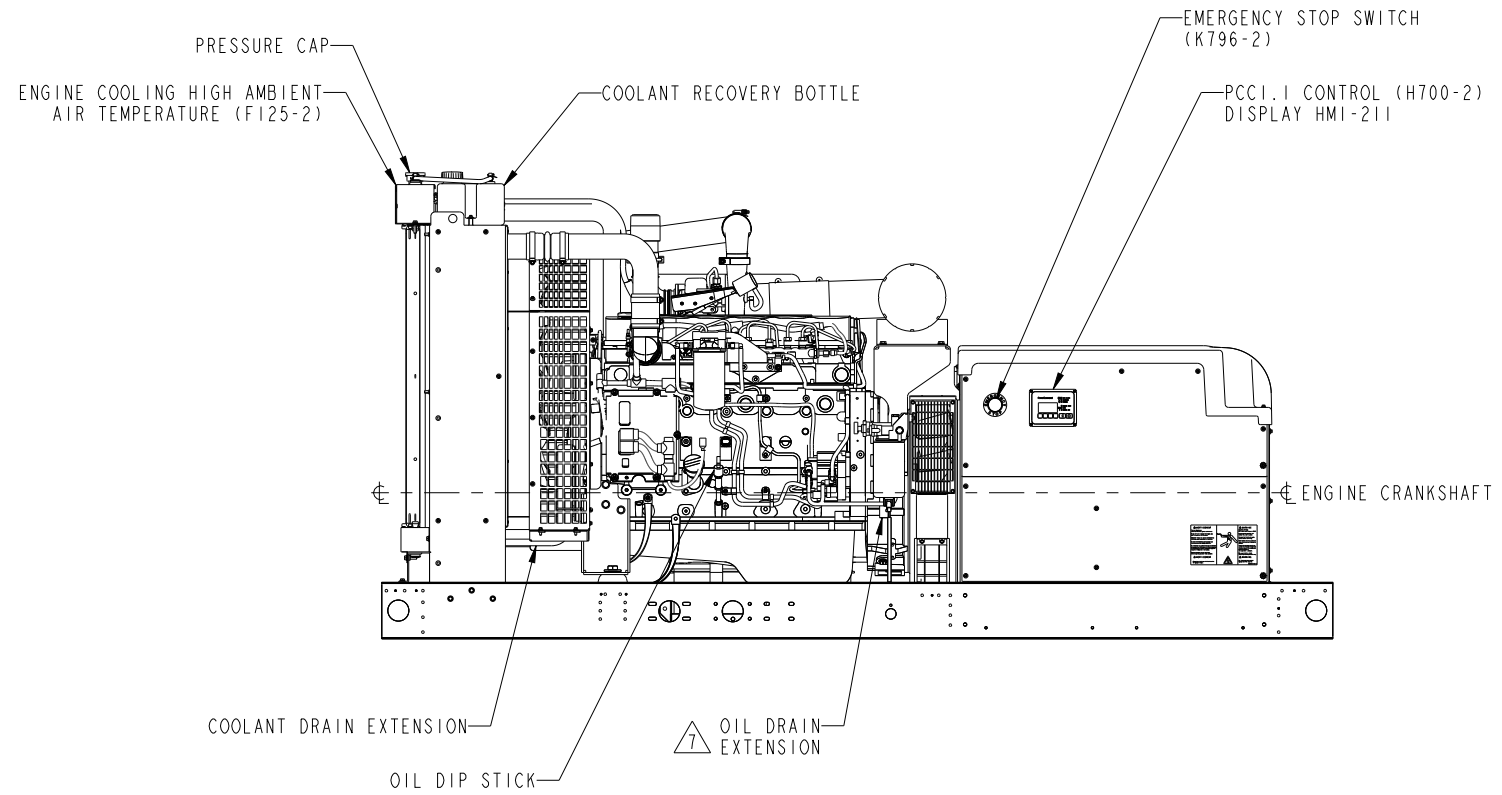
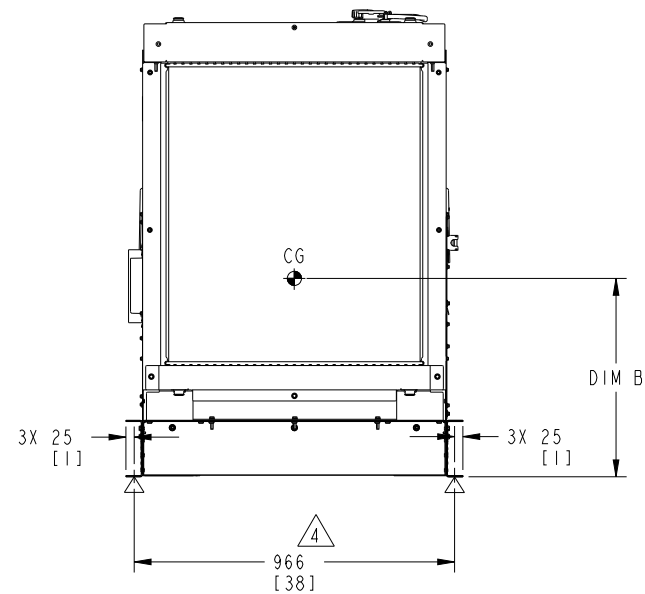


ALT DATA SHEET #	DIM A	DIM B	GENSET WET WEIGHT	
			KG	LB
ADS-208	1414	504	1340	2955
ADS-209	1443	502	1390	3064
ADS-210	1470	500	1442	3179
ADS-211	1493	499	1480	3262
ADS-212	1526	495	1583	3491
ADS-213	1526	495	1583	3491

C125D6D, C150D6D, C175D6D, C200D6D

UNLESS OTHERWISE SPECIFIED, ALL DIMENSIONS ARE IN MILLIMETERS		SW TO	DWN D HOFMEISTER		CUMMINS POWER GENERATION	
DO NOT SCALE PRINT		CKD D HOFMEISTER	APVD D GILLETT		OUTLINE, GENSET	
ANG TOL ± 1.0°	SCALE 3:32	DATE 04APR18		SITE CODE	PGF	
THIS DOCUMENT (AND THE INFORMATION SHOWN THEREON) IS CONFIDENTIAL AND PROPRIETARY AND SHALL NOT BE DISCLOSED TO OTHERS IN HARD COPY OR ELECTRONIC FORM, REPRODUCED BY ANY MEANS, OR USED FOR ANY PURPOSE WITHOUT WRITTEN CONSENT OF CUMMINS INC.		FIRST USED ON		FILE D	A060C858	CAD SHEET 1 of 2

REL NO	REV	NO	REVISION	DWN	CKD	APVD	DATE
ECO-176532	A	1	PRODUCTION RELEASE	DAH	DAH	GILLETT	04APR18



UNLESS OTHERWISE SPECIFIED, ALL DIMENSIONS ARE IN MILLIMETERS		SHW TO	DWN D HOFMEISTER		CUMMINS POWER GENERATION																
DO NOT SCALE PRINT			CKD D HOFMEISTER		OUTLINE, GENSET																
<table border="1"> <tr> <th>DIM</th> <th>TOL</th> <th>NOTE</th> </tr> <tr> <td>X ± 1</td> <td>0.00-4.99</td> <td>+0.15/-0.08</td> </tr> <tr> <td>.X ± 0.8</td> <td>5.00-9.99</td> <td>+0.20/-0.10</td> </tr> <tr> <td>.XX ± 0.38</td> <td>10.00-17.49</td> <td>+0.25/-0.13</td> </tr> <tr> <td></td> <td>17.50-24.99</td> <td>+0.30/-0.13</td> </tr> </table>	DIM	TOL	NOTE	X ± 1	0.00-4.99	+0.15/-0.08	.X ± 0.8	5.00-9.99	+0.20/-0.10	.XX ± 0.38	10.00-17.49	+0.25/-0.13		17.50-24.99	+0.30/-0.13	SCALE 3:32	<small>THIS DOCUMENT (AND THE INFORMATION SHOWN THEREON) IS CONFIDENTIAL AND PROPRIETARY AND SHALL NOT BE DISCLOSED TO OTHERS IN HARD COPY OR ELECTRONIC FORM, REPRODUCED BY ANY MEANS, OR USED FOR ANY PURPOSE WITHOUT WRITTEN CONSENT OF CUMMINS INC.</small>	<small>FOR INTERPRETATION OF DIMENSIONING AND TOLERANCING, SEE ASME Y14.5-2009</small>	<small>FIRST USED ON</small> ARROW PGF	SITE CODE A060C858	CAD SHEET 2 of 2
DIM	TOL	NOTE																			
X ± 1	0.00-4.99	+0.15/-0.08																			
.X ± 0.8	5.00-9.99	+0.20/-0.10																			
.XX ± 0.38	10.00-17.49	+0.25/-0.13																			
	17.50-24.99	+0.30/-0.13																			

**Part A060C858 A**

Description	Legacy Name	External Regulations	Application Status	Release Phase Code	Security Classification	Alternates
OUTLINE,GENSET	A060C858	No External Regulations Apply	Production Only	Production	Confidential	

**Part Specifications :A060C858 A**

Name	Description	Legacy Name
A030B356	SPECIFICATION,MATERIAL	CES10903
A060C859	DRAWING,ENGINEERING	A060C859